



M.P.S. MARKING PACKING SERVICE S. r. l.

Sistemi di Marcatura e Codifica

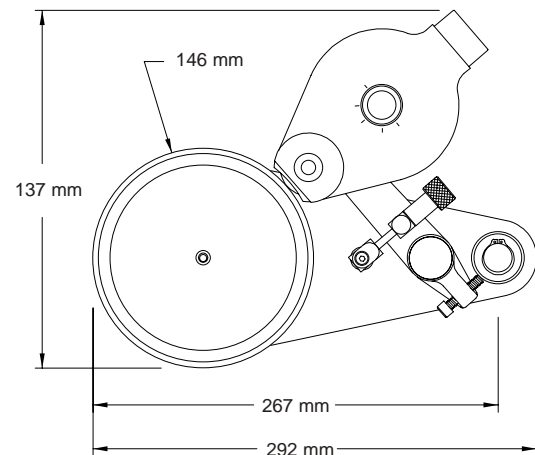
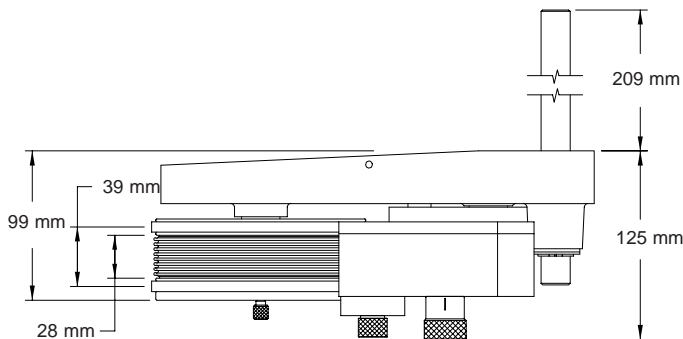
Non-Porous Conveyor Line Printer



U.S. PATENT NO. 5,109,769 E.P. PATENT NO. 0508971

MPS's Non-Porous Conveyor Line printers provide the ultimate in low maintenance printing on all types of non-porous materials. The revolutionary design of the patented Non-Porous Inking System prevents solvent evaporation during operation and eliminates the maintenance problems normally associated with the use of alcohol base inks. These coders are designed to print on waxed and varnished cartons, plastic films, rubber, metal, glass and other non-porous surfaces and are ideal for continuous web printing applications.

The Non-Porous Conveyor Line Printers are one of the larger models in our line of non-porous coders and are available in models with 25mm and 50 mm print widths both with 457mm circumference print drums. Indexing models are used for carton printing applications and non-indexing models are used for continuous web printing applications.



Type MT Ink Rolls: Simple - Clean - Effective

Ink is supplied to the coder by a disposable **Type MT Ink Roll**. These rolls produce exceptionally dense black marks which dry in 4-7 seconds at 24 degrees C. ambient temperatures on most non-porous surfaces. These disposable rolls yield up to 500,000 impressions in average usage. The roll is simply installed on the coder and replaced when the ink capacity is depleted. The MT Ink Rolls contain a fast drying solvent based ink and are designed for use only with our line of Non-Porous Coders.

The Type MT Ink Rolls provide uniform print density across the full print width of the coder - even on the 50 mm wide models. Since these rolls are not dependent on external inking, the coder can be mounted in any attitude for top, side or bottom coding applications - regardless of the coder's mounting configuration. The Type MT Ink Rolls are currently available in **Black, White, Green, Blue and Red**.



WWW.MPSPRINT.COM

Phone +39.0385.53244 Fax +39.0385.51681
E-mail mps@mpsprint.com

Show Room - Warehouse via Privata Giorgi, 1 - 27043 - Broni (PV) - ITALY

Sales Info + 39.347.8633416
Technical Info + 39.347.8517160

Head Office via Valle Fondo, 15 - 27040 Cigognola (PV) - ITALY