



M.P.S. MARKING PACKING SERVICE S. r. l.

Sistemi di Marcatura e Codifica

Non-Porous Mini-Coder

U.S. PATENT NO. 5,109,769 E.P. PATENT NO. 0508971



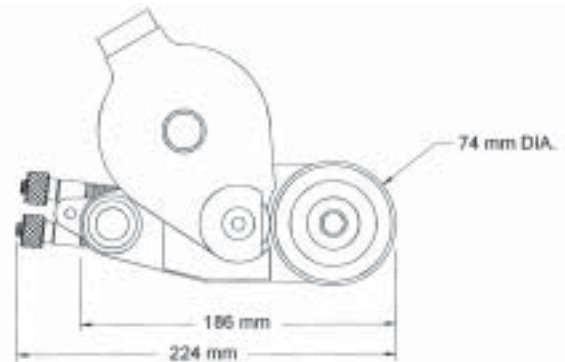
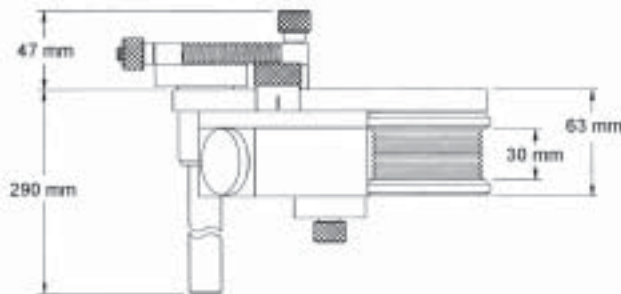
Modello raffigurato con dispenser d'inchostro (opzionale).

MPS offers a breakthrough in non-porous coding technology. Unmatched in quality and performance, the patented Non-Porous Inking System design completely eliminates the problems associated with the use of fast drying inks on non-porous materials like plastics, metal, rubber, glass, varnished and waxed cartons, etc.

The inking system on these coders is completely enclosed to prevent solvent evaporation and unlike flexographic systems, there is no open well of ink. Remarkably, no maintenance is required during or at the end of each production shift which makes these printers the most trouble free on the market.

FEATURES

- Consistent, high quality printing on non-porous materials with a drying time as fast as 4-7 seconds.
- Available in both top mounted styles for web printing and side mounted styles for cartons and other conveyed products.
- Outstanding performance even with fast drying, pigmented, government spec. inks.
- Precision machined from aircraft grade aluminum alloys and stainless steel for minimal maintenance and superior long term performance.
- Sealed ball bearings in print drum and anilox roll provide smooth rotation
- Quick change print drums can be pulled off the axle without the use of tools for off-line code changes.



Type MT Ink Rolls: Simple - Clean - Effective

The Type MT Ink Rolls provide uniform print density across the full print width of the coder - even on the 50 mm wide models. Since these rolls are not dependent on external inking, the coder can be mounted in any attitude for top, side or bottom coding applications - regardless of the coder's mounting configuration. The Type MT Ink Rolls are currently available in **Black, White, Green, Blue and Red**.

Ink is supplied to the coder by a disposable **Type MT** Ink Roll. These rolls produce exceptionally dense black marks which dry in 4-7 seconds at 24 degrees C. ambient temperatures on most non-porous surfaces. These disposable rolls yield up to 500,000 impressions in average usage. The roll is simply installed on the coder and replaced when the ink capacity is depleted. The MT Ink Rolls contain a fast drying solvent based ink and are designed for use only with our line of Non-Porous Coders.



WWW.MPSPRINT.COM

Phone +39.0385.53244 Fax +39.0385.51681
E-mail mps@mpsprint.com

Show Room - Warehouse via Privata Giorgi, 1 - 27043 - Broni (PV) - ITALY

Sales Info + 39.347.8633416
Technical Info + 39.347.8517160

Head Office via Valle Fondo, 15 - 27040 Cigognola (PV) - ITALY